



SHEET METAL

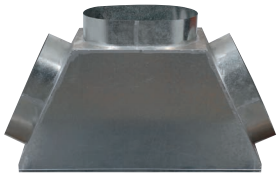
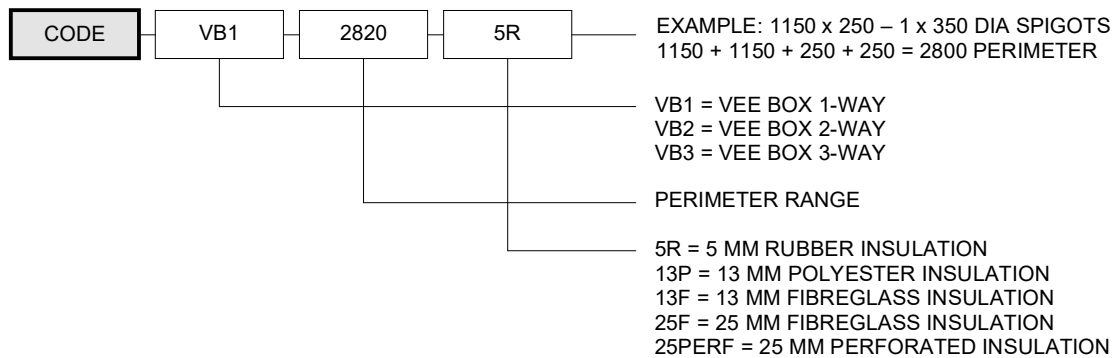
1-Way V-Box						
PRODUCT CODE	PERIMETER RANGE	√ = Available Insulation				
		5mm Rubber (External Ins.)	10mm Rubber	13mm/25mm Polyester	13mm/25mm Fiberglass	25mm Perforated
VB12300	0 - 2300	✓	✓	✓	✓	✗
VB12820	2301 - 2820	✓	✓	✓	✓	✗
VB13500	2821 - 3500	✓	✓	✓	✓	✗
Other insulation thicknesses available on request.		*All 1-Way V-Box's except plain and 5mm rubber will be constructed as a 3-Way V-Box*				



2-Way V-Box					
PRODUCT CODE	PERIMETER RANGE	√ = Available Insulation			
		5mm/10mm Rubber	13mm/25mm Polyester	13mm/25mm Fiberglass	25mm Perforated
VB22300	0 - 2300	✓	✓	✓	✓
VB22820	2301 - 2820	✓	✓	✓	✓
VB23500	2821 - 3500	✓	✓	✓	✓
Other insulation thicknesses available on request.					



3-Way V-Box					
PRODUCT CODE	PERIMETER RANGE	√ = Available Insulation			
		5mm/10mm Rubber	13mm/25mm Polyester	13mm/25mm Fiberglass	25mm Perforated
VB32300	0 - 2300	✓	✓	✓	✓
VB32820	2301 - 2820	✓	✓	✓	✓
VB33500	2821 - 3500	✓	✓	✓	✓
Other insulation thicknesses available on request.					

Note:

- To select the correct product code from the table above for a specified V/box size, you must firstly calculate the perimeter of the v/box as shown in the example above which will determine the correct perimeter range to choose from in the table above.
- If a specified box exceeds the perimeter it will be priced on application.
- If the spigot size does not fit the specified box we will automatically step the box to suit at an additional charge.

SHEET METAL 4 5 6 8 9 10 12 14 15 16 18 20 22 24 26 28 30 32 34 36 38 40 42 44 46 48 mm 100 125 150 200 225 250 300 350 375 400 450 500 550 600 650 700 750 800 850 900 950 1000 1050 1100 1150 1200