

PROTECT

CONDENSER GUARDS

MAXIMUM STRENGTH

Made of Heavy Duty Angle Iron & 25mm steel mesh and hot dipped galvanised to last.

MAXIMUM SECURITY

Can be bolted to a wall or fastened to a concrete pad. The front access panel can be padlocked for maximum security.

MAXIMUM STANDARDS

PROTECT Guards comply to Government Specifications.



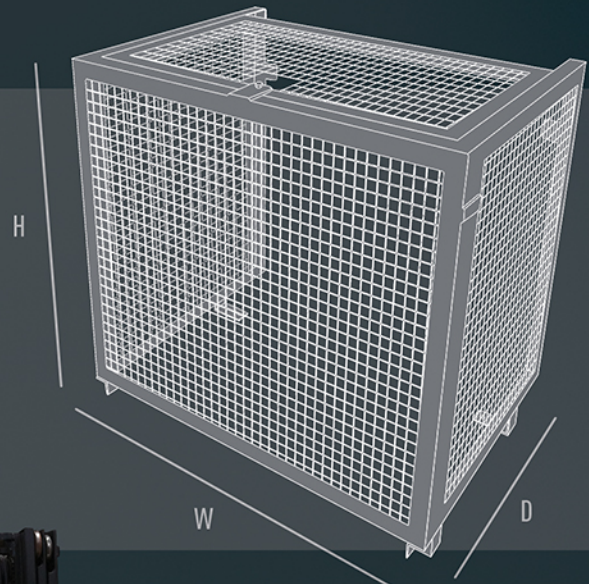
CONDENSER GUARDS

PART NO.

DIMENSIONS

| | |
|-------|------------------------|
| ACG9 | W1000 x H900 x D600mm |
| ACG10 | W1200 x H1000 x D600mm |
| ACG12 | W1200 x H1200 x D600mm |
| ACG14 | W1200 x H1400 x D600mm |
| ACG16 | W1200 x H1600 x D600mm |
| ACG20 | W1400 x H2000 x D900mm |

*Back panels are available and sold separately



QUICK AND EASY
INSTALLATION



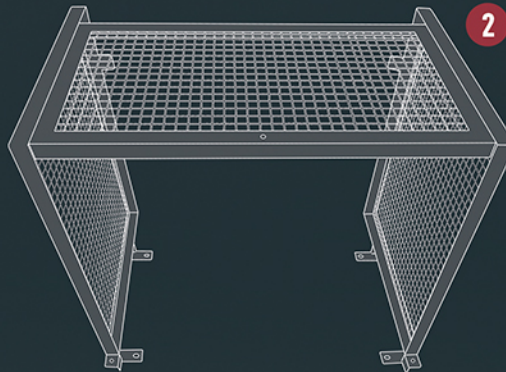
EASY TO HANDLE.
EASY TO STORE.



- Stand RIGHT SIDE PANEL of the guard on its edge with wall mount plate facing up

Take TOP PANEL making sure the 'lock' area in the top panel faces the ground

Bring the TOP PANEL in from a 45° angle whilst lining up the hook with the locating slot of the side panel



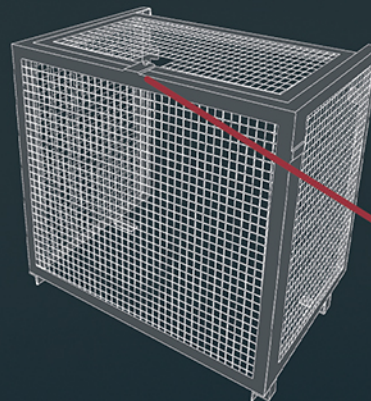
- Repeat Step 1 for the LEFT SIDE PANEL and stand up as shown

Fit the guard around the air conditioning unit



- Once you have fitted the guard around the air conditioning unit; place the FRONT PANEL onto assembled guard by locating the mounting pins on the bottom of the panel into the holes on each side of the guard

NOTE: Make sure the FRONT PANEL fits correctly before you fasten the guard to the wall or ground



- Once you have completed Step 3 you can fasten the guard to the wall or ground and lock the FRONT PANEL in to place with a padlock or bolt (provided)

