



The Comfortable Choice

AIR CURTAIN

User Manual

Models:

TAC9004RC

TAC12004RC

TAC9005RC

TAC12005RC

TAC18005RC

IMPORTANT NOTE:



Thank you for selecting a TECO quality Air Conditioner. Read this manual carefully before installing or operating your new air conditioning unit. Make sure to save this manual for future reference.

The design and specifications are subject to change without prior notice for product improvement. Consult with the sales agency or manufacturer for details.



CONTENTS

SAFETY PRECAUTIONS.....	2
OUTLINES AND DIMENSIONS	3
INSTALLATION	4
WIRING DIAGRAM	6
SPECIFICATIONS.....	6
AIR FLOW ADJUSTMENTS	7
AIR DISTRIBUTION CHART	7
CLEANING AND MAINTENANCE.....	8
REPAIRS, SERVICE & WARRANTY.....	8

SAFETY PRECAUTIONS

Read the entire manual carefully as it will help to protect your equipment and avoid serious injury.

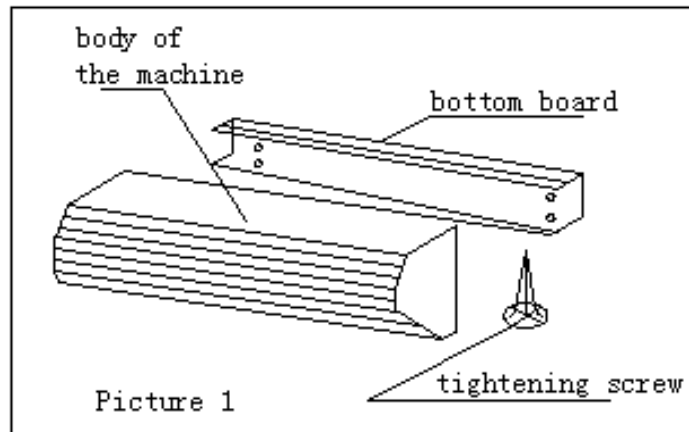
- Install the air curtain at a place that can withstand its weight.
- Do not install the unit in a place where there is a possibility of flammable gas leaks.
- Always use the specified power supply (voltage and frequency) indicated on the unit.
- Use the correct power socket. Make the connections securely so that any force to the power cord is not applied to the power socket.
- Always use the correct motor, capacitor, switch, and other accessories specified by TECO.
- When moving and reinstalling the air curtain, consult the dealer or an authorised technician
- If an abnormal situation arises (like a burning smell), immediately turn off the unit and disconnect the power to avoid electric shock, fire or injury.
- This appliance is not intended for use by persons (including children) with reduced physical, sensory or mental capabilities, or lack of experience and knowledge, unless they have been given supervision or instruction concerning use of the appliance by a person responsible for their safety.
- Children should be supervised to ensure that they do not play with the appliance.
- Ensure that the fan is switched off from the supply mains before removing the guard.
- Do not insert fingers, rods or other objects into the air inlet or outlet. This may cause injury, since the fan may be rotating at high speeds.
- Do not use flammable sprays such as hair spray, lacquer or paint near the unit. This may cause fire or combustion.

WARNING:

The product must be installed and wired in compliance with the Building and Wiring Code of Australia or any other similar standards or codes. The customer/contractor is solely responsible for ensuring that the equipment Installed, complies with any relevant code or standard.

OUTLINES AND DIMENSIONS

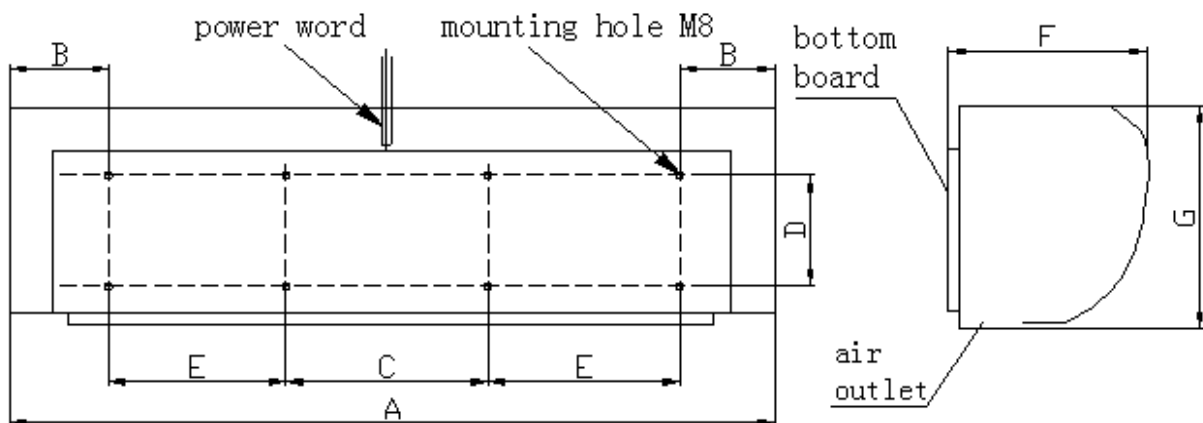
The air curtain had already designated on the best installment hole on the bottom for the user. Please loosen the binding screw, separates the bottom from the box body and has been equipped with the mounting hole on the bottom (Picture 1). When it is installed, the position must be accurate and be reliable, the method of installation to be as follows:



The external dimensions and install the size (mm):

Model	A	B	C	D	E	F	G
TAC9004RC	900	105	230	120	230	212	230
TAC12004RC	1200	105	330	120	330	212	230
TAC9005RC	900	105	230	120	230	212	230
TAC12005RC	1200	105	330	120	330	212	230
TAC18005RC	1800	100	400	400	400	212	230

E&OE

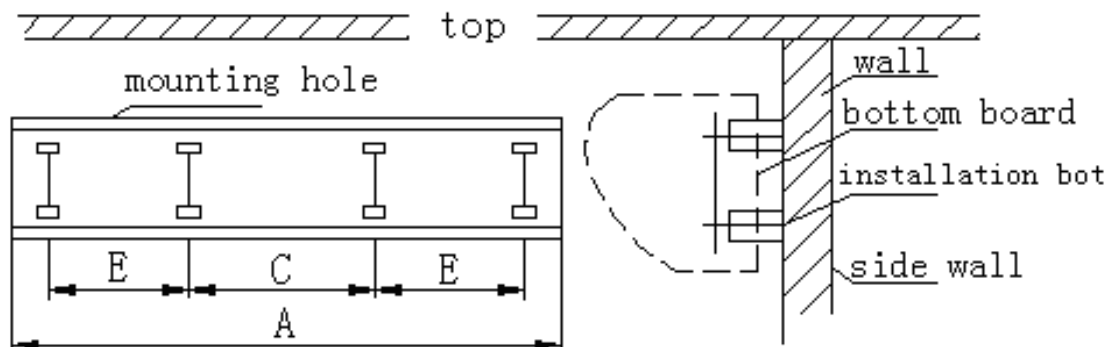


Picture 2

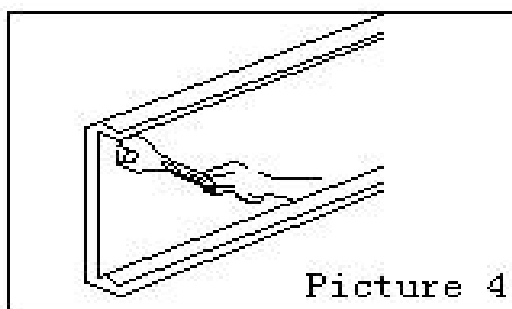
INSTALLATION

Fix on the concretes wall

- (1) According to the different specification is to be gives the mounting dimensions, chose the position (picture 2)
- (2) Splits out explodes bolt's hole which matches M8 to pull on the position, will pull explodes the bolt to fix on the concretes wall, simultaneously should protect bolt's swinging radius is 15mm. (picture 3)
- (3) With the gasket, the nut fasten the bottom, then install the complete machine (picture 4)

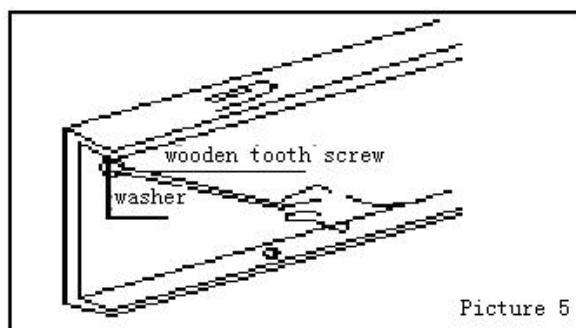


Picture 3



Installation on the wood wall

With the wooden tooth screw fixed firmly the bottom on the good position (picture 5), then installs the complete machine.



Installation Precaution

When installing the air curtain, please note the following, can increase the efficiency of air curtain.

1. Please install on the solid place, prevents the work from vibration, prevents noise which vibration produces.
2. Please install the air curtain on the inside of the room.
3. Do not install the unit in a place where it may be splashed by water, or exposed to excessive steam, explosive gas or corrosive gas etc.
4. Width of air curtain/s should be equal to or wider than the width of door.
5. If the width of door wider than the length of air curtain, please use two or more assemblies. In this situation, please make sure the distance is about 20~40mm.
6. Please install according to the model specification, if the installation position is too high, this will affect the outcome.
7. When installing the air curtain, make sure the air outlet is right to the bottom of fitting surface.
8. When installing the air curtain, please make sure the air curtain hangs the wall plate and the wall cannot leave space.
9. Air delivery vent should be situated as near the wall as possible.
10. The distance between the air curtain and the ceiling do not be smaller than 30mm.
11. Please make sure the level to install.

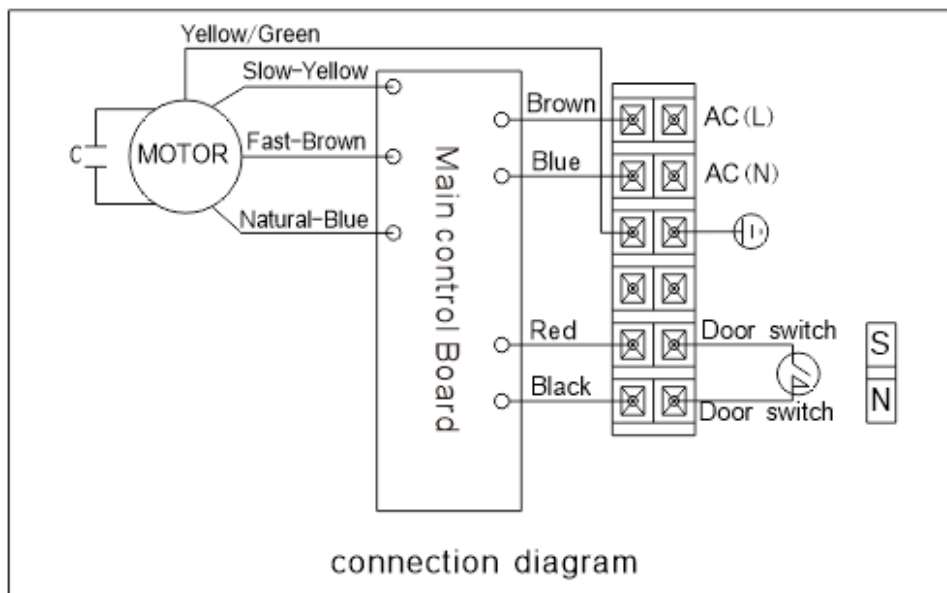
Note:

The design and specifications are subject to change without prior notice for product improvement.

Consult with the sales agency or manufacturer for details.

WIRING DIAGRAM

The controlling circuit of the two-speed air curtain protecting machinery (Picture 6).



Picture 6

SPECIFICATIONS

Item Model	Rated Voltage (V)	Rated Frequency (Hz)	Specific ation (mm)	Max Input Power (w)	Max Input Flow (m³/h)	Max Wind Speed (m/s)	Noise (dB)	N.W (kg)	Unit Size WxHxD (mm)	Packing box (mm)	Mounting height (m)
TAC9004RC	230	50	120	230	1020	14.5	≤44	16.0	900×230×212	960×290×270	3.5-4.5
TAC12004RC	230	50	120	305	1360	14.5	≤45	19.5	1200×230×212	1260×290×270	3.5-4.5
TAC9005RC	230	50	120	360	1260	18.0	≤46	16.5	900×230×212	960×290×270	4.5-5.0
TAC12005RC	230	50	120	495	1680	18.0	≤47	21.0	1200×230×212	1260×290×270	4.5-5.0
TAC18005RC	230	50	120	750	2520	18.0	≤53	30.5	1800×230×212	1860×290×270	4.5-5.0

E&OE

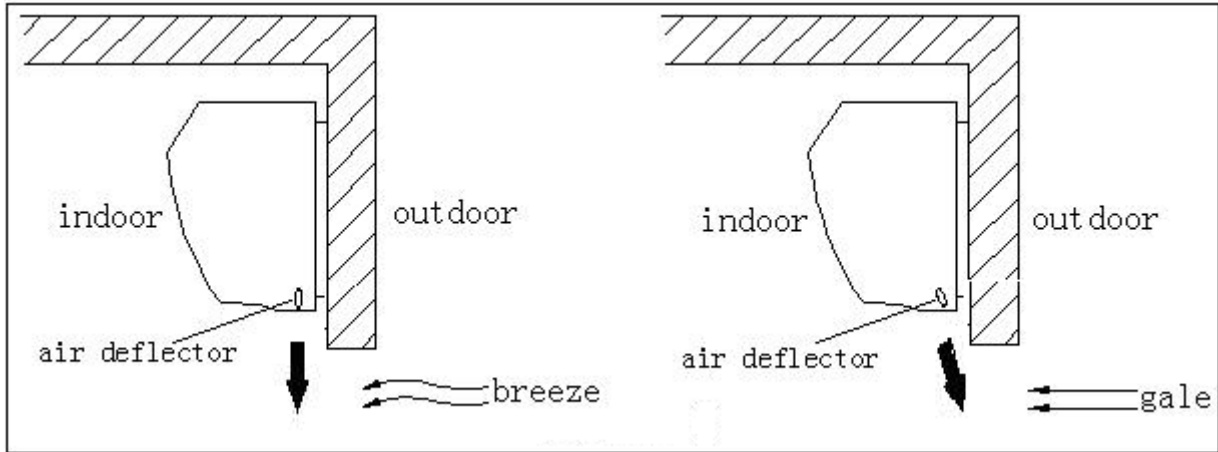
Note:

The design and specifications are subject to change without prior notice for product improvement. Consult with the sales agency or manufacturer for details.

AIR FLOW ADJUSTMENTS

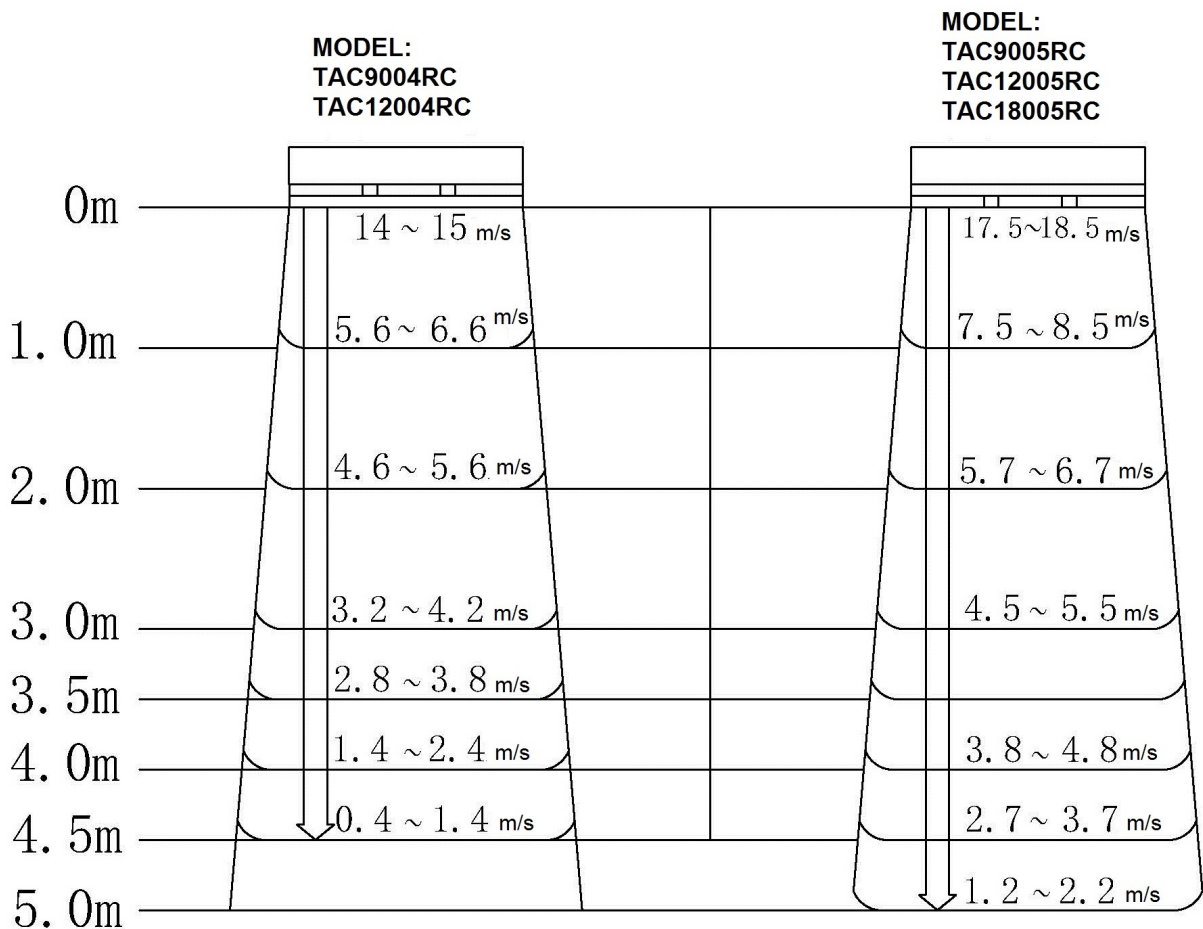
The air deflector of air curtain is adjustable.

The air direction changed depends to the air deflector. (Picture 7)



Picture 7

AIR DISTRIBUTION CHART



E&OE

CLEANING AND MAINTENANCE

- Turn off the device and disconnect the power before cleaning. Failure to do so can cause electrical shock.
- Please use cleaning detergents to clean, and then wipe with a clean soft cloth.
- Do not clean the air curtain with excessive amounts of water.
- Do not clean the air curtain with gasoline, thinner, kerosene, fungicides or metal brush.
- Carry out a normal periodic repairs and maintenance to remove the dirt from air curtain regularly.
- Damaged supply cords to be replaced by the manufacturer, service agent or similarly qualified person to avoid hazard.

REPAIRS, SERVICE & WARRANTY

It is hazardous for anyone installing, removing, altering, repairing, servicing or testing of this appliance. Only an Authorized Service Person can carry out servicing or repairs to this appliance.

IF SERVICE IS REQUIRED:

If you have any difficulties with your product, please contact: TECO Australia's Service on 1300 660 037 (8:30am - 4pm Monday ~ Friday AEST)

For warranty details please visit www.teco.com.au

Service Email: had.service@teco.com.au

Spare Parts: had.parts@teco.com.au



WARRANTY INFORMATION

Teco's warranty information for the product purchased is available at www.teco.com.au.

A copy of the warranty may also be obtained by contacting Teco's Warranty and Service Department on 1300 660 037 during business hours (Mon - Fri 8.30am – 4pm AEST).

To arrange for servicing of a Teco product, please contact our Warranty and Service Department on 1300 660 037 during business hours (Mon - Fri 8.30am – 4pm AEST).

To assist in processing any warranty claim that you may have Teco recommends that you:

1. Complete the following information in relation to your purchase:

Name of retailer: _____

Name of owner: _____

Date of purchase: _____

Model No. : _____

Serial No. : _____

MFG code: _____

2. Retain proof of your purchase for any warranty claim. Ideally this proof of purchase will be the tax invoice issued for your purchase.

3. Complete the following information in relation to the person that installed your Teco appliance (if applicable):

Installer's name: _____

Telephone No.: _____

Licence No.: _____



www.teco.com.au